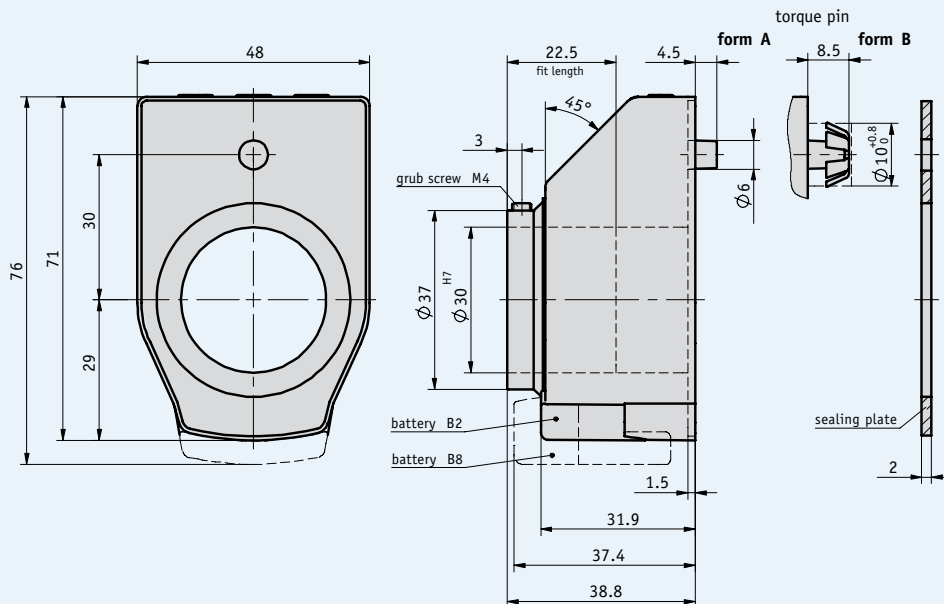


Profile

- Freely programmable electronic digital display for linear or angular measurement
- Hollow shaft, max. \varnothing 30 mm
- LCD display with 5 digits and special characters
- Digit height approx. 12 mm
- Reset, incremental measurement, offset via keyboard
- Long battery life
- Easy battery change without dismantling of the device

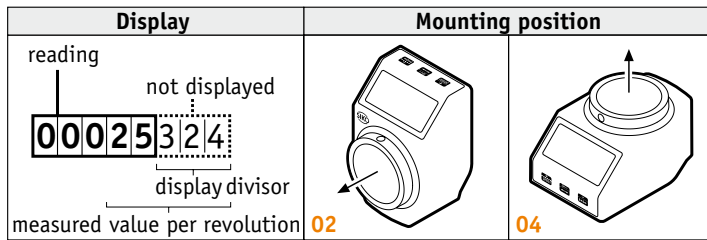


Mechanical data

Feature	Technical data	Additional information
Display	LCD display, 5-digit, digit height 11.5 mm	
Display range	-19999 ... 99999	
Battery	lithium coin cell, 3 V, CR2032 type lithium coin cell, 3 V, CR2477 type	~2 years of service life ~8 years of service life
Weight	approx. 0.1 kg	
Hollow shaft	\varnothing 30H7, plain bearing, browned steel	
Rotational speed	max. 600 rpm (100 % operation time)	
Protection category	IP51	
Operating temperature	-10 ... +60 °C	
Storage temperature	-30 ... +80 °C	
Housing	plastic	
Shock resistance	30 g / 15 ms	according to DIN EN 60068-2-27
Vibration resistance	10 g / (5 ... 150 Hz) 20 g / (100 ... 2.000 Hz)	according to DIN EN 60068-2-6 according to DIN EN 60068-2-6
EMC	DIN EN 61000-4-2 DIN EN 61000-4-4	

Order

Order note



Note: Characters highlighted in orange are order features

Display divisor

The display divisor shifts digits of the measured value to the non-visible range of the display without these being lost for mathematical calculation of the display value.

Calculation of value displayed (example: order text):

Measured value per revolution 25324
Display divisor 1000

Feature	Value displayed	Measured value
1 st revolution	25	25324
2 nd revolution	51	50648

Order table

Feature	Order text	Specification	Additional information
Design/mounting position*	02	horizontal spindle	
	04	vertical spindle	
Measured value per revolution*	...	2 ... 90 000	see calculation of value displayed
	W3600	angular mode 0 ... 360°, resolution 0.1°	only for decimal point „1“
	Z3600	angular mode -180 ... +180°, resolution 0.1°	only for decimal point „1“
Decimal place*	0	0 = 00000	
	1	1 = 0000.0	
	2	2 = 000.00	
	3	3 = 00.000	
Display divisor*	...	1, 10, 100, 1000	see calculation of value displayed
Counting direction*	i	clockwise (ascending on the right)	
	e	counter-clockwise (ascending on the left)	
Zero setting*	D	directly	
	V	delayed by 5 s	
Hollow shaft/diameter (mm)	30	∅ 30 mm	
	...	RH16, RH20, RH24, RH25, RH26	reducing bushes
		others on request	
Color	R	red RAL 3000	
	S	black RAL 9005	
Torque support/form	A	cylindric pin	
	B	for tolerance compensation	
Battery	B2	~2 years of service life	
	B8	~8 years of service life	pay attention to the technical drawing

* programmable by means of ProTool DE programming software

Order code



Scope of delivery: DE10, User information

Accessories:

Programming software ProTool DE
Reducing bushes

Page 105
Page 106

Additional information:

General information and areas of application

Page 30 cont.