

easygard100

Light curtain with 32 or 36 elements | push-pull or relay output

Technical data

FEATURES

- ▶ Ideal for both: static and dynamic installations
- ▶ Suitable for center and side opening
- ▶ Multiple criss-cross beams for a reliable detection
- ▶ Criss-cross light beams remain fully active until doors are closed
- ▶ Easy installation
- ▶ Optional power converter



OPTICAL

| | | |
|-------------------------|-----------------|----------|
| Operating range | 0 ... 3 m | |
| No. of optical elements | 32 | 36 |
| No. of beams | 154 | 174 |
| Protection height | 1,857 mm | 1,699 mm |
| Max. ambient light | 100,000 Lux | |
| Wave length | Infrared 940 nm | |

MECHANICAL

| | | |
|---|-----------------------------------|--|
| Dimensions (w × h × l) | 11 × 24.5 × 2,000 mm | |
| Housing material | Aluminum, black powder coated | |
| Enclosure rating | IP54 | |
| Temperature range (operation / storage) | -20°C ... +60°C / -40°C ... +75°C | |

ELECTRICAL

| | | |
|---|--------------------------------------|-----------------|
| Supply voltage U _{Sp} | 10 ... 30 VDC | |
| Typ. current consumption at 24 VDC (without load) | < 50 mA | |
| Output | Solid state relay or push-pull | |
| Output logic | Selectable with logic selector input | |
| Max. output load (push-pull) | 100 mA, 100 nF | |
| Max. switching capacity (relay) | 150 mA / 50 V | |
| Typ. response time | < 100 ms | |
| 1 LED indicator Tx | Red ON – Power | |
| 2 LED indicators Rx | - Red ON | Power |
| | - OFF | No object |
| | Red ON | Object detected |

CONNECTION CABLE AND ELECTRICAL CONNECTION

| | | |
|----------------------|--------------------------|-------------------------------------|
| Cable length | 3.8 m | |
| - Fixed cable | 400 mm (pig tail) | |
| - With M8 connectors | 3.3 m (connection cable) | |
| Diameter | Tx: Ø 3.5 mm | Rx: Ø 4.2 mm |
| Material | PVC, black | |
| Connection | M8, Ø 10 mm | |
| | Tx: 4-pin | Rx: 6-pin |
| Plug color | White | |
| - Emitter | Blue | |
| - Receiver | Blue | |
| Wires | AWG26 | |
| • brown | U _{Sp} | |
| • blue | GND (0 V) | |
| • white | Synchronization | |
| • black | Tx: Not used | Rx push-pull: Output |
| | | Rx relay: Output A |
| • gray | Tx: n/a | Rx push-pull: Logic selector |
| | | Rx relay: Logic selector |
| • green | Tx: n/a | Rx push-pull: Not used |
| | | Rx relay: Output B |

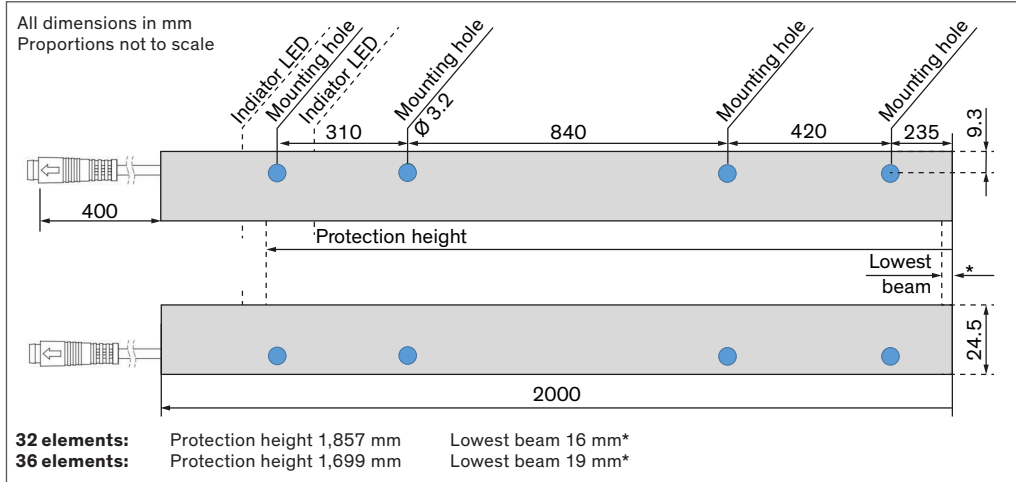
GENERAL

| | |
|------------------|-----------------------------------|
| EMC emission | EN 12015:2014 |
| EMC immunity | EN 12016:2013 |
| Vibration | IEC 60068-2-6:2007 |
| Shock | IEC 60068-2-27:2008 |
| Cable durability | IEC 60227-2:2003 |
| RoHS | 2011/65/EU |
| Certificates | CE - 2014/30/EU, 2014/33/EU, UKCA |

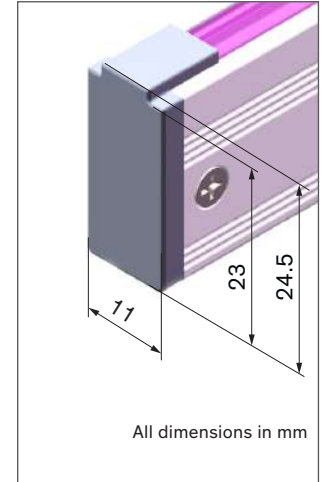


CEDES AG is certified according to ISO 9001: 2015.

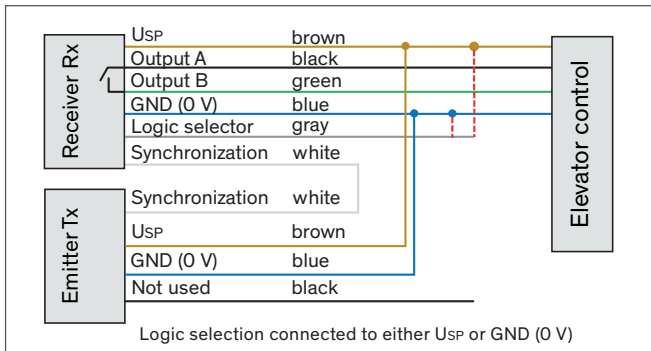
Dimensions



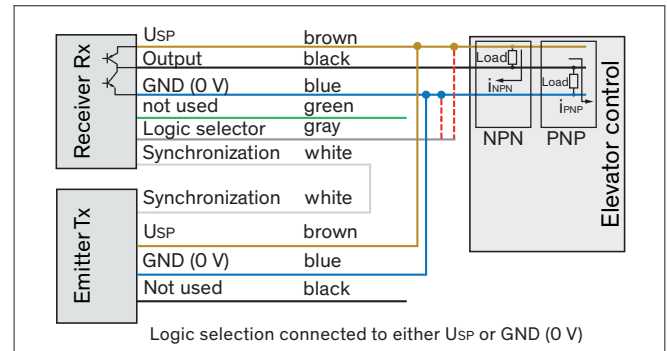
Detailed view



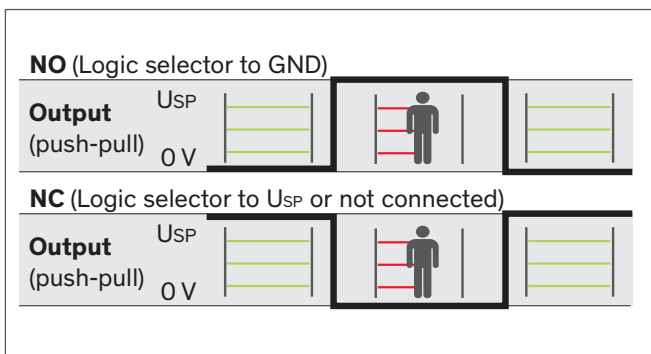
Wiring – solid state relay output



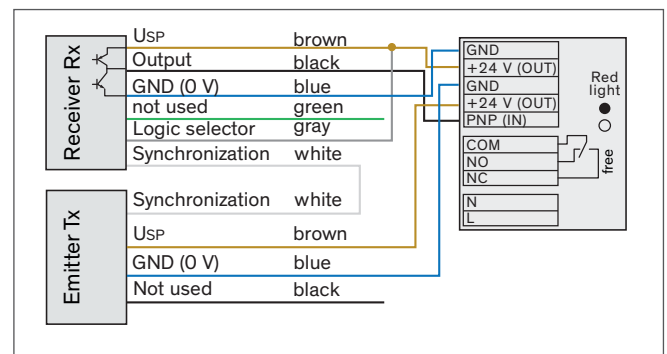
Wiring – push-pull output



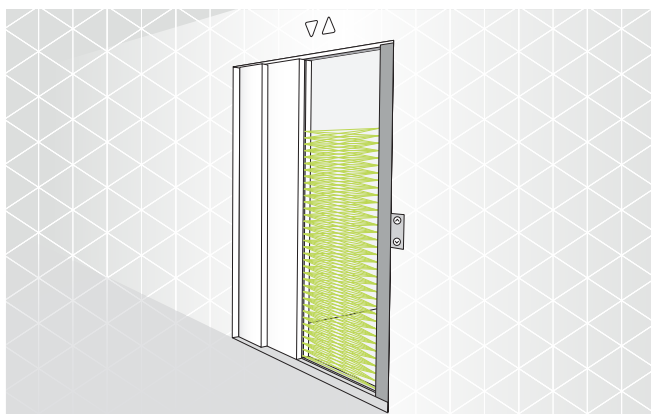
Output logic



Wiring power converter with push-pull



Applications



Dynamic mounting



Static mounting