

# easygard100

Light curtain with 32 or 36 elements

## Technical data

### FEATURES

- ▶ Ideal for both: static and dynamic installations
- ▶ Suitable for center and side opening
- ▶ Multiple criss cross beams for a reliable detection
- ▶ Criss-cross light beams remain fully active until doors are closed
- ▶ Easy installation
- ▶ Different system types for cost optimization
- ▶ Optional power converter



### OPTICAL

Operating range	0 ... 3 m	
No. of optical elements	32	36
No. of beams	154	174
Protection height	1,857 mm	1,699 mm
Max. ambient light	100,000 Lux	
Wave length	Infrared 850 nm	

### MECHANICAL

Dimensions (w × h × l)	11 × 24.5 × 2,000 mm	
Housing material	Aluminum, black powder coated	
Enclosure rating	IP54	
Temperature range (operation / storage)	-20°C ... +60°C / -40°C ... +75°C	

### ELECTRICAL

Supply voltage U <sub>Sp</sub>	10 ... 30 VDC	
Typ. current consumption at 24 VDC (without load)	50 mA	
Output*	PNP or NPN	
Output logic*	NO or NC	
Max. output load	120 mA, 100 nF	
Response time	< 100 ms	
1 LED indicator Tx	Red ON – Power	
2 LED indicators Rx	- Red ON	Power
	- OFF	No object
	Red ON	Object detected

\* = depend on model type

### CONNECTION CABLE AND ELECTRICAL CONNECTION

Cable length		
- Fixed cable	3.8 m	
- With M8 connectors	400 mm (pig tail) 3.3 m (connection cable)	
Diameter	Ø 3.5 mm	
Material	PVC, black	
Connection	M8, 4-pin, Ø 10 mm	
Plug color		
- Emitter	White	
- Receiver	Blue	
Wires	AWG26	
• brown	U <sub>Sp</sub>	
• blue	GND (0 V)	
• black	Tx: Not used	Rx: Output
• white	Synchronization	

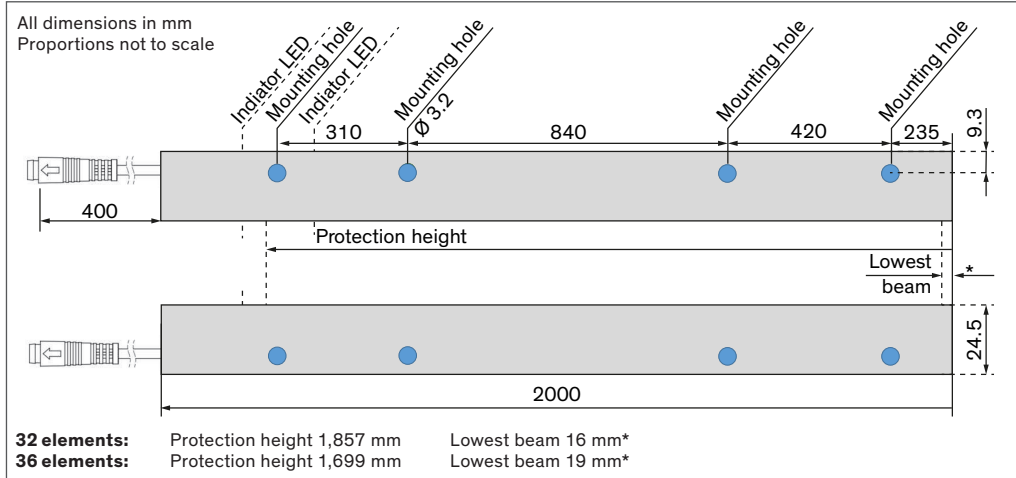
### GENERAL

EMC emission	EN 12015:2014
EMC immunity	EN 12016:2013
Vibration	IEC 60068-2-6:2007
Shock	IEC 60068-2-27:2008
Cable durability	IEC 60227-2:2003
RoHS	2011/65/EU
Certificate	CE - EN 81-20:2014, UKCA

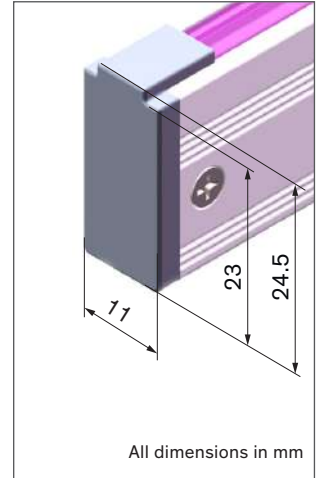


CEDES AG is certified according to ISO 9001: 2015.

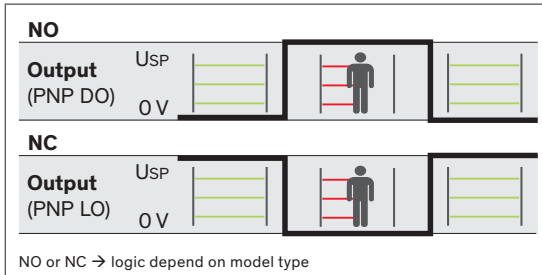
### Dimensions



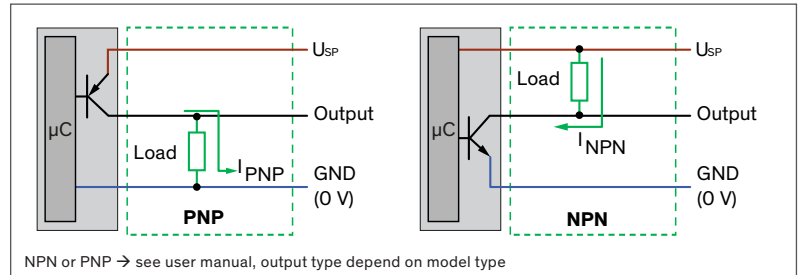
### Detailed view



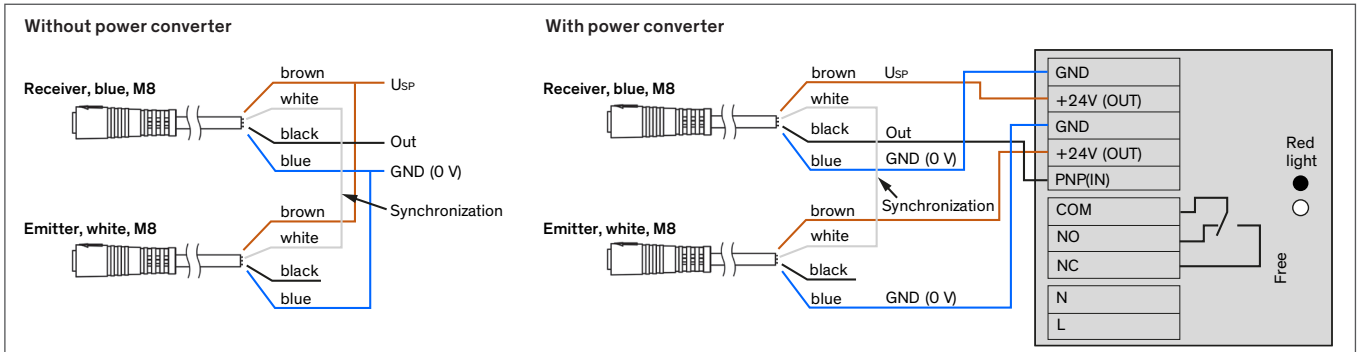
### Output logic



### Output circuit



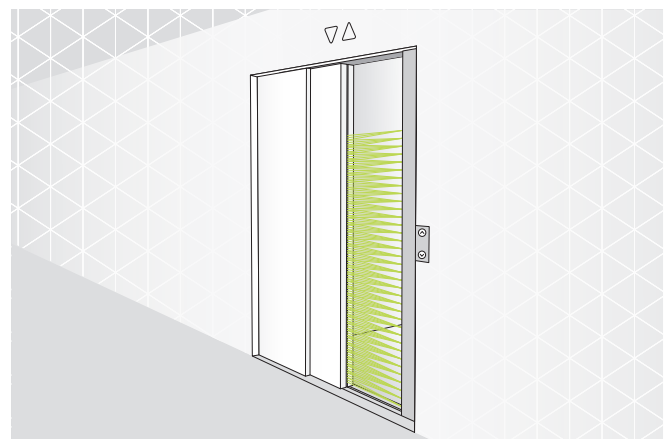
### Wiring



### Applications



Dynamic mounting



Static mounting